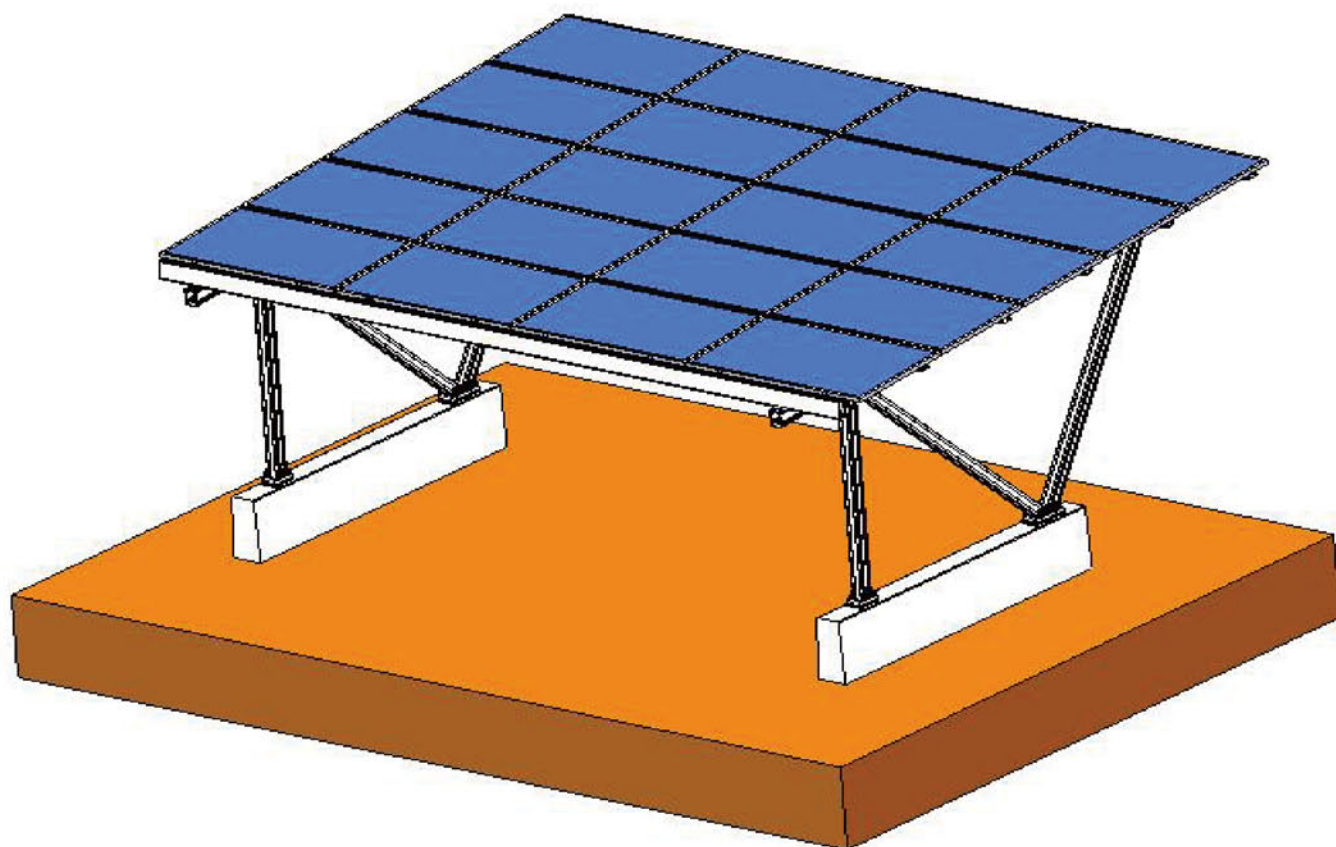
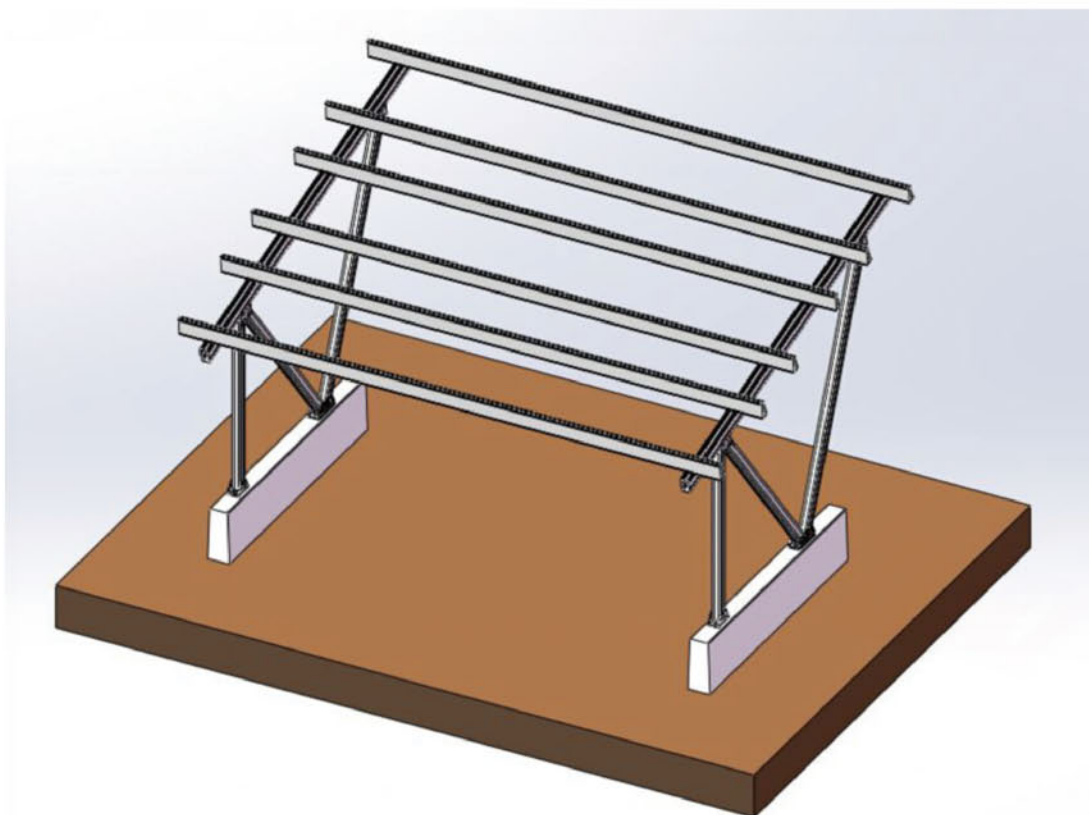


Carport Installation Guide/Landscape

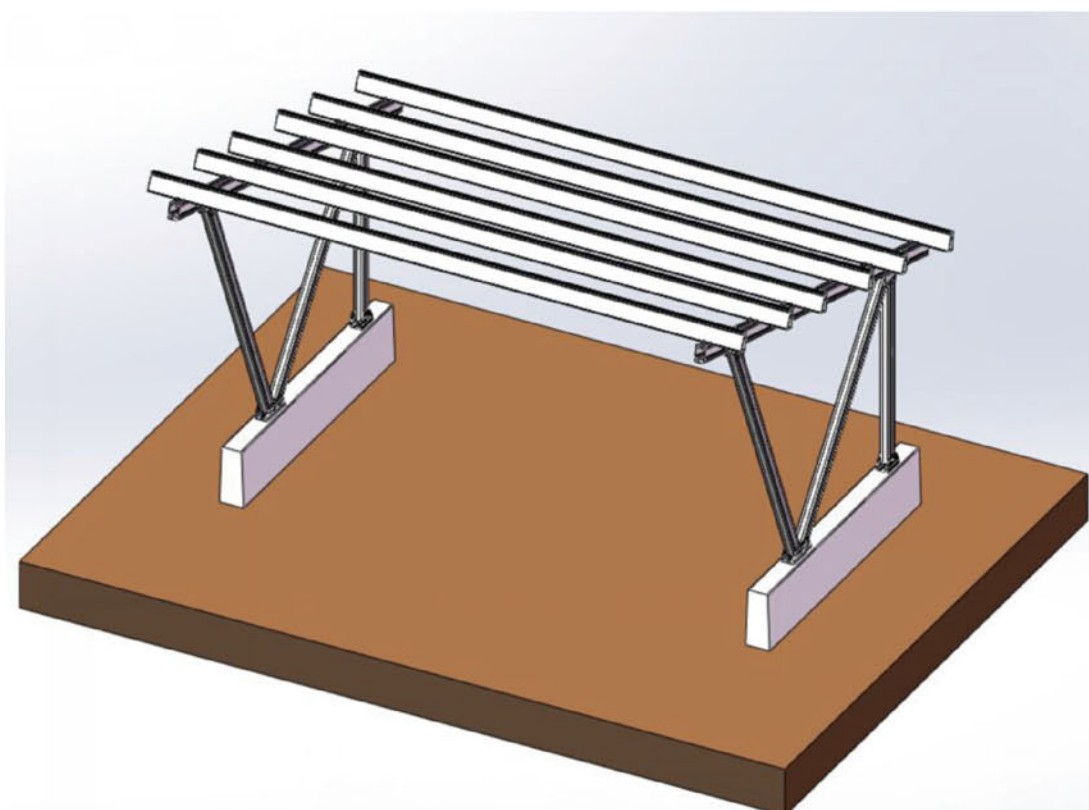


- Add: No. 146,6th Fl. Unit3, 2nd Plant, Jimei District, Xiamen City, China
- Web: www.uisolar.com
- Tel: +86-592-5663849
- Fax: +86-592-5170790
- Email: info@uisolar.com
- Skype: frank.lee2009

1. Overview to the Carport Structure

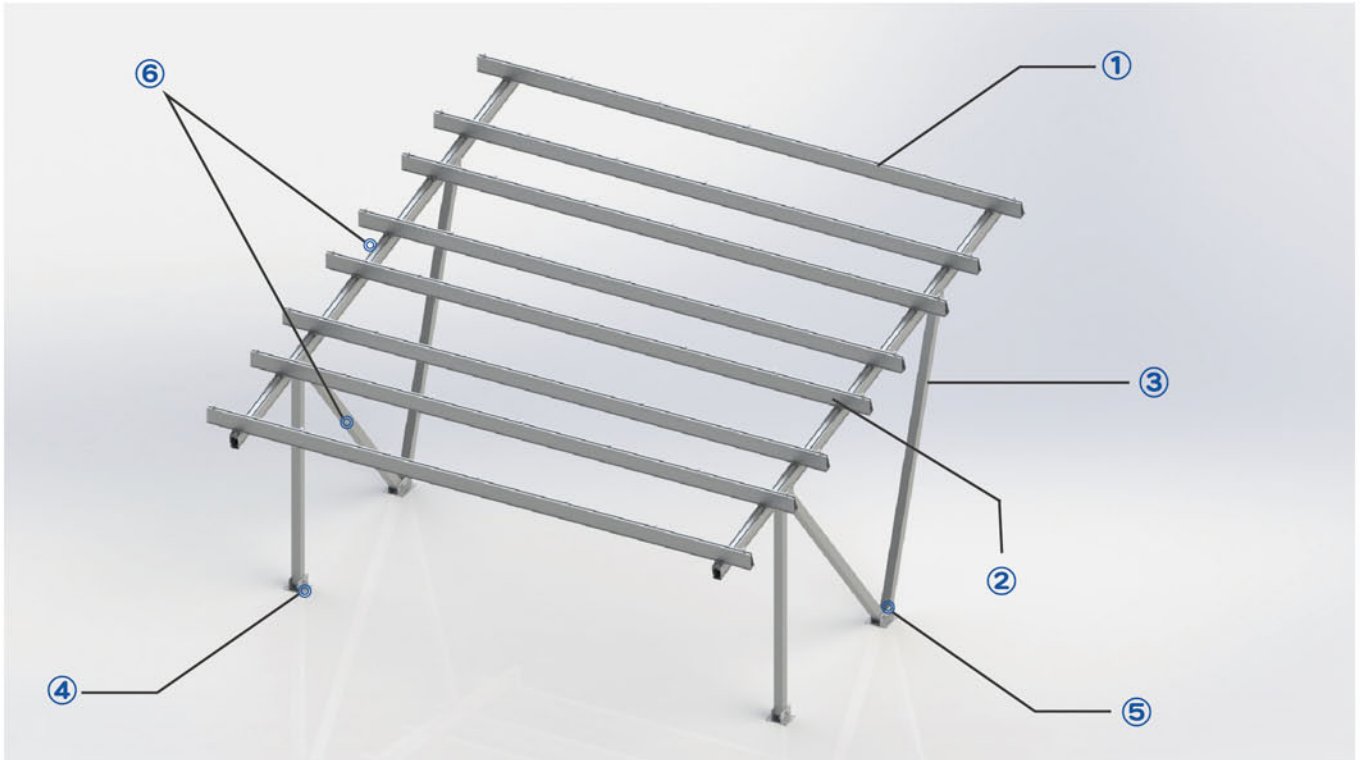


Front View



Back View

2. Mainly Components List

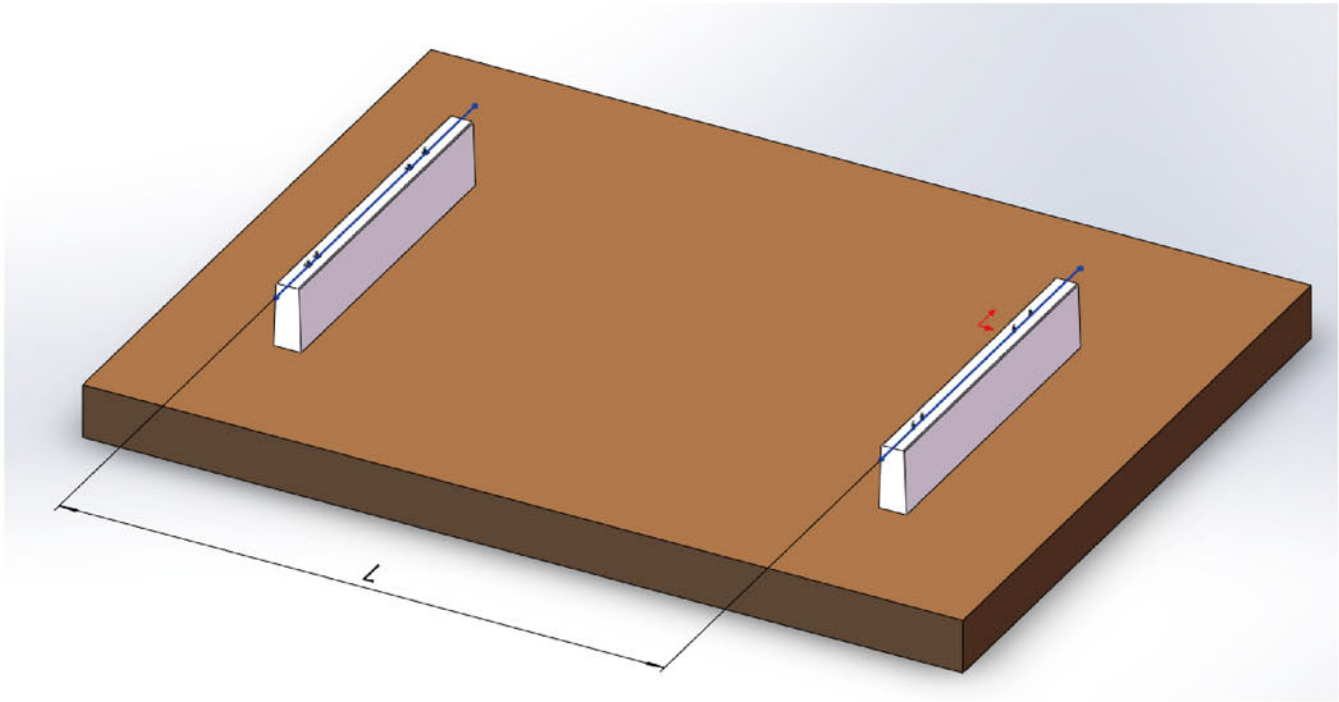


Model name	UI-R 8 8# Universe Rail	UI-clamp	UI-STC-FL/R Front/Rer Leg	UI-STC-FLA Foot base
Picture	 ①	 ②	 ③	 ④

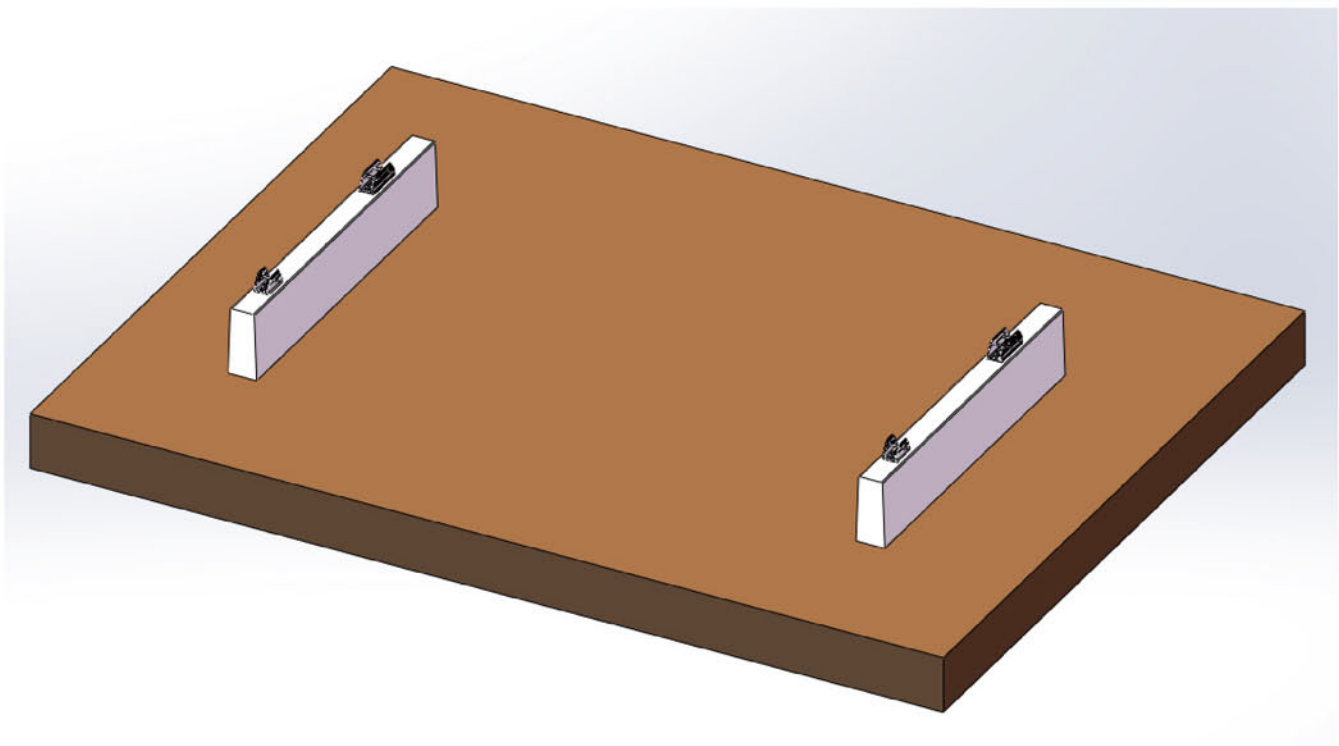
Model name	UI-STC-LA Foot Base	UI-STC-R160 Universe carport Support Rack	UI-IC Mid Clamp	UI-EC End Clamp
Picture	 ⑤	 ⑥		

3. Installation Steps

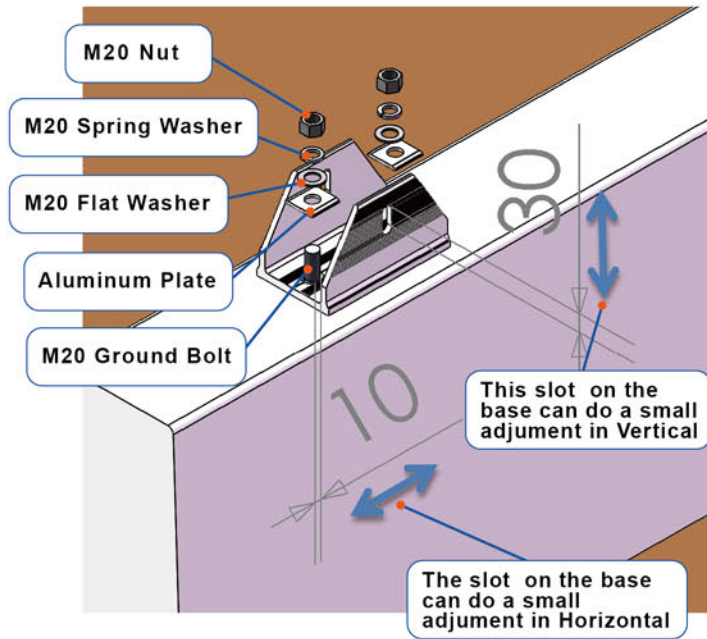
3.1 Mark lines on the ground according to the technical drawing, and do the concrete foundations



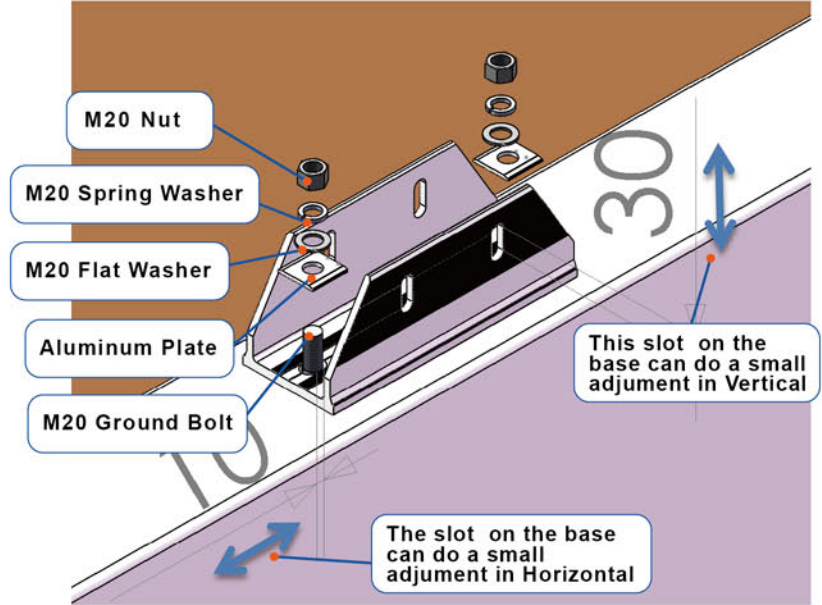
3.2 Foot Base Installation



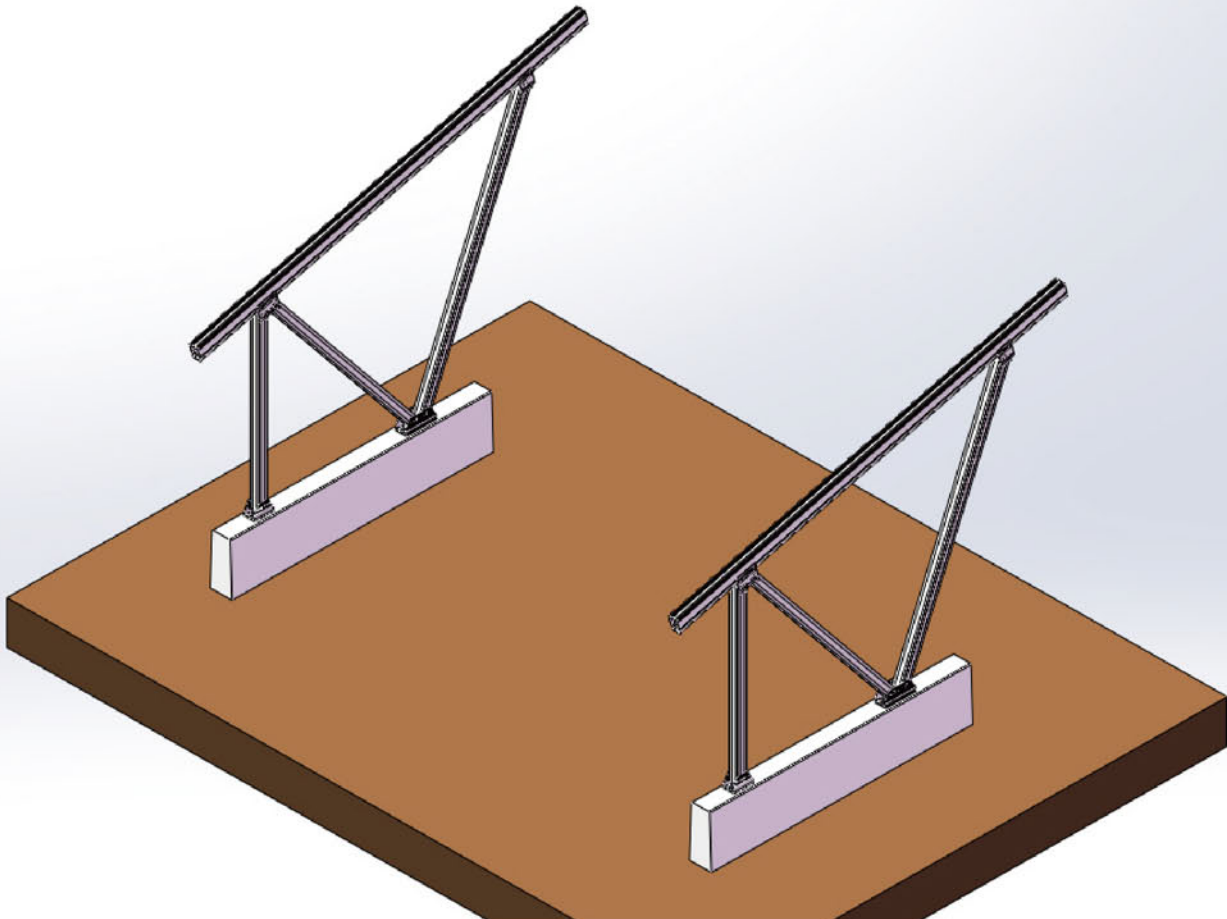
Front Foot Base



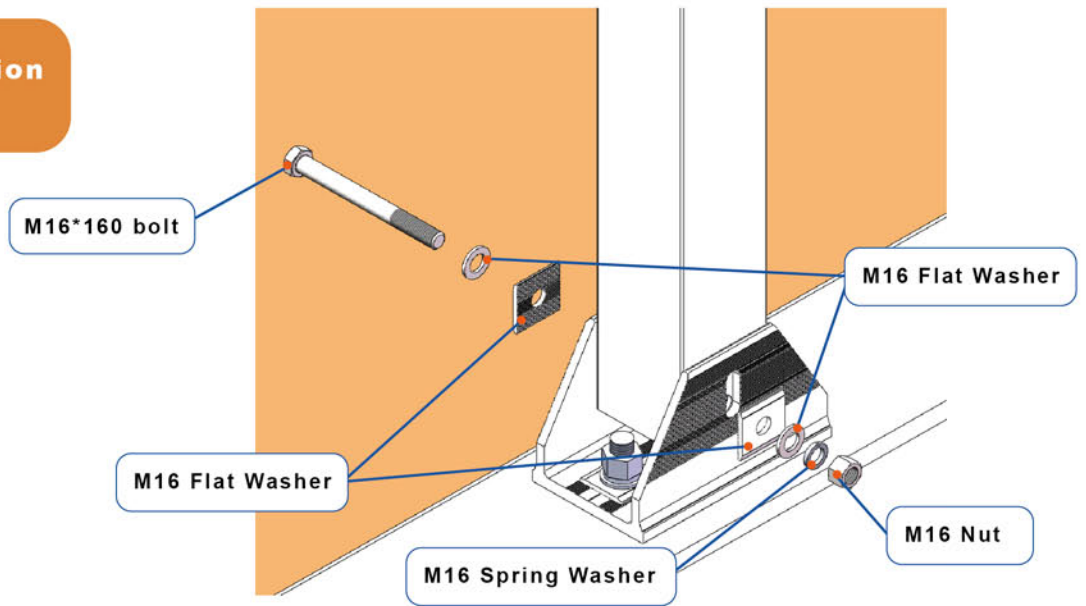
Rear Foot Base



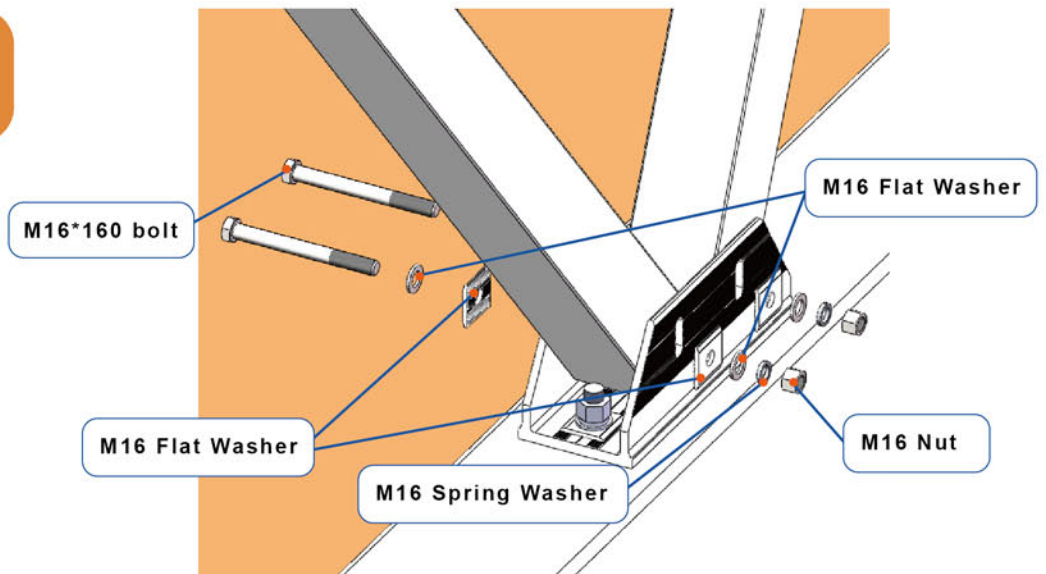
3.3 Installation of Legs and carport Support Rack



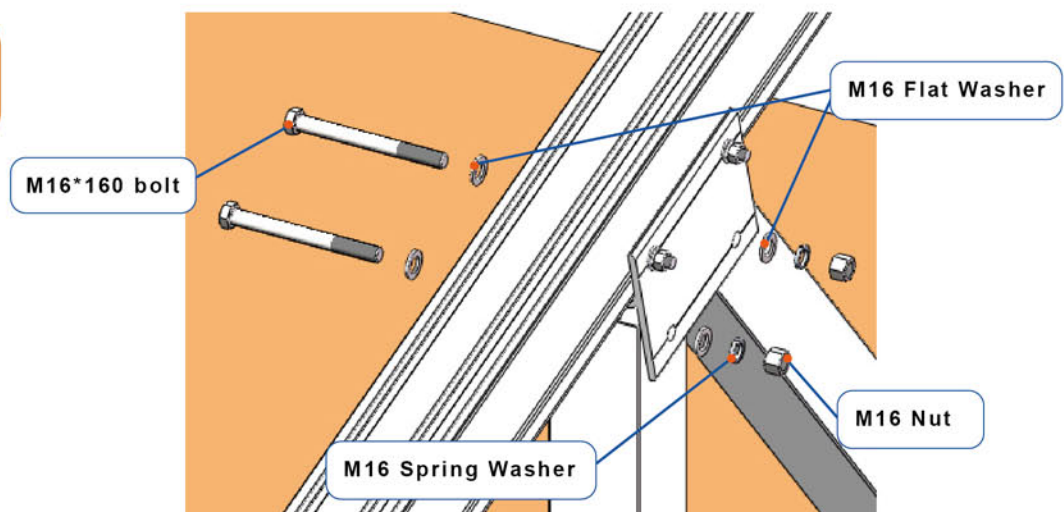
front base connection



Front leg-Front base connection

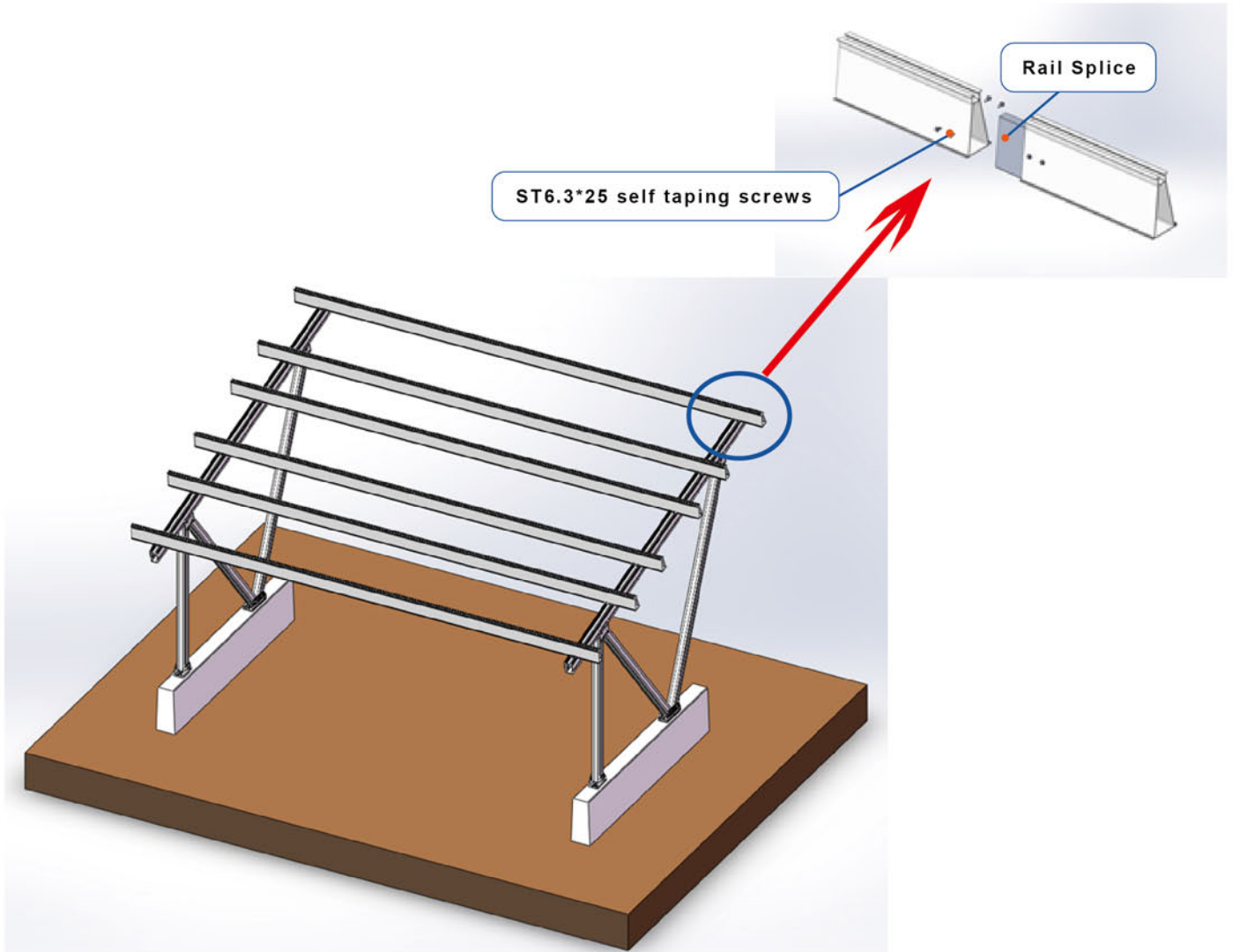


Legs and carport Support Rack connection

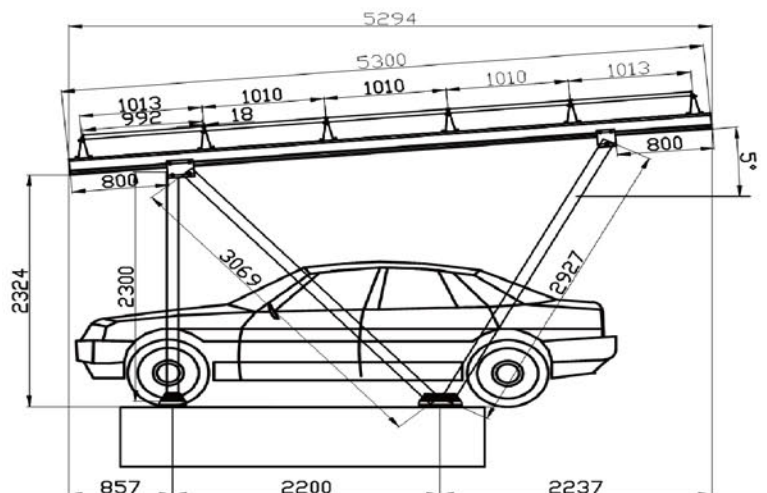


3.4 Rail Installation

Rail Splice Installation

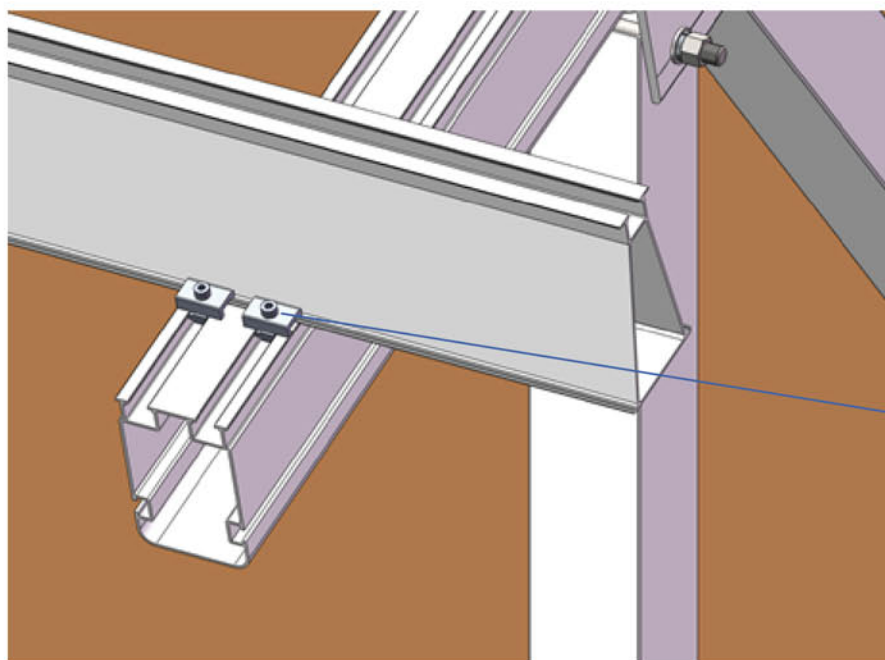


Note: When there are several carports connect together ,
Rails can be lengthened with Rail splice

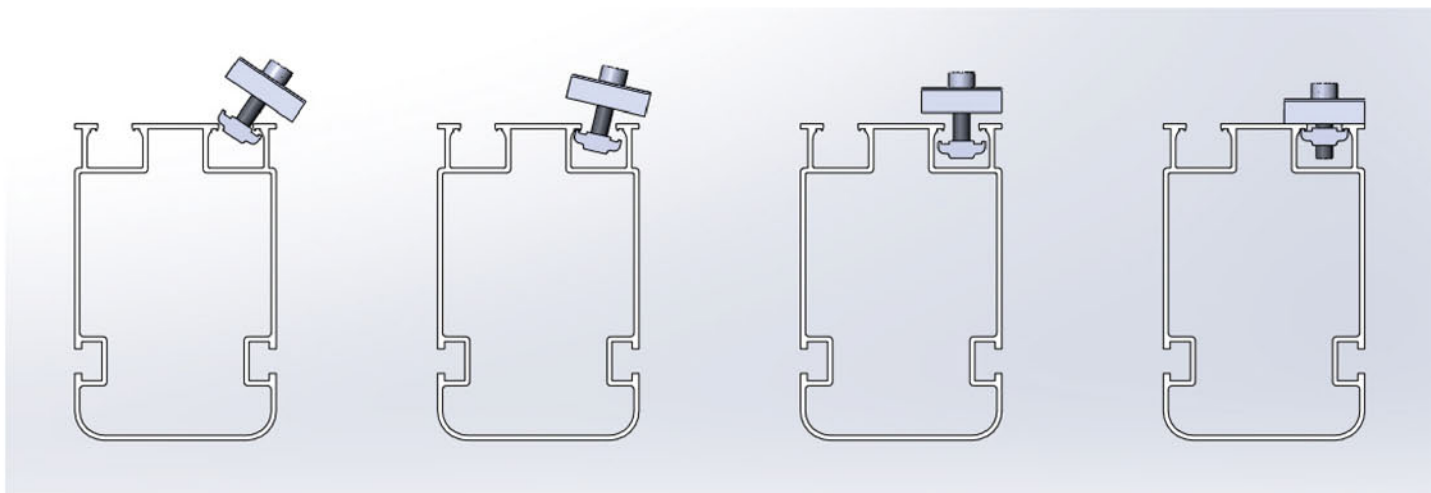


Tatke 992mm width panel for example, the rail layout should be as above

3.41 Put Rails on to the Carport Support rack accoring to the technical drawing

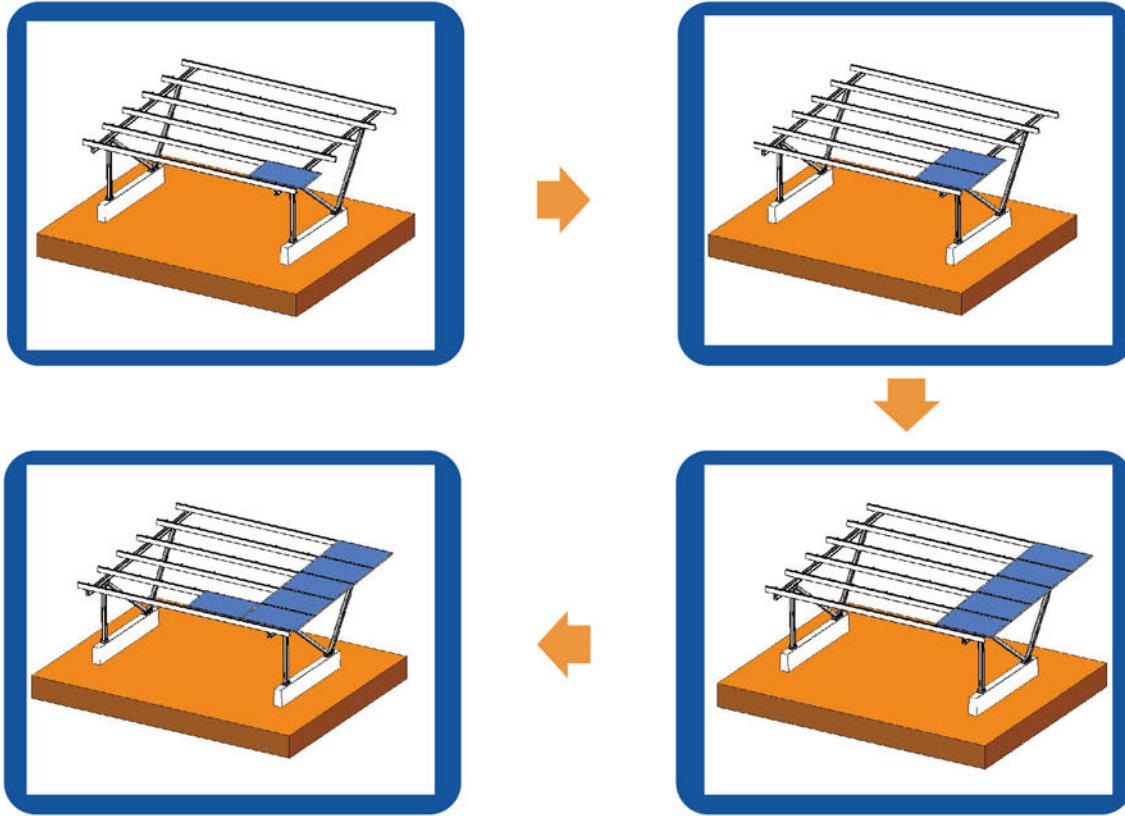


3.42 Fix Rails to the Carport support rack with UI-Clamp



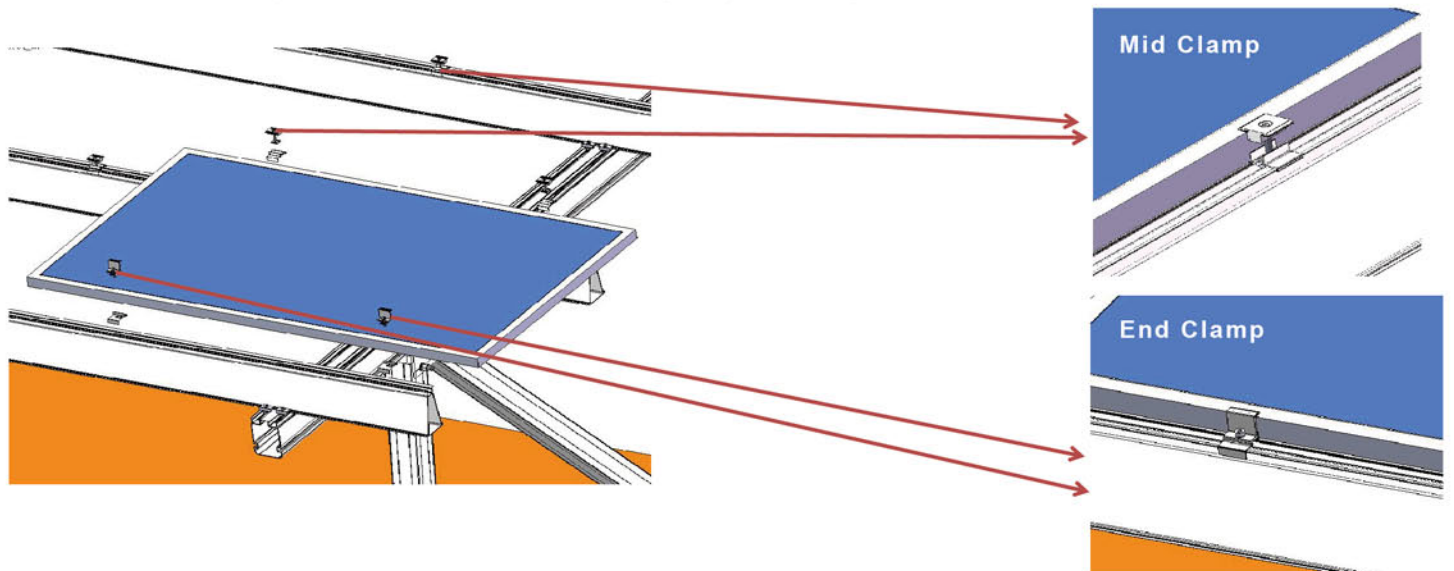
3.5 Solar Panel Installation

3.51 Install solar panels according to following steps :

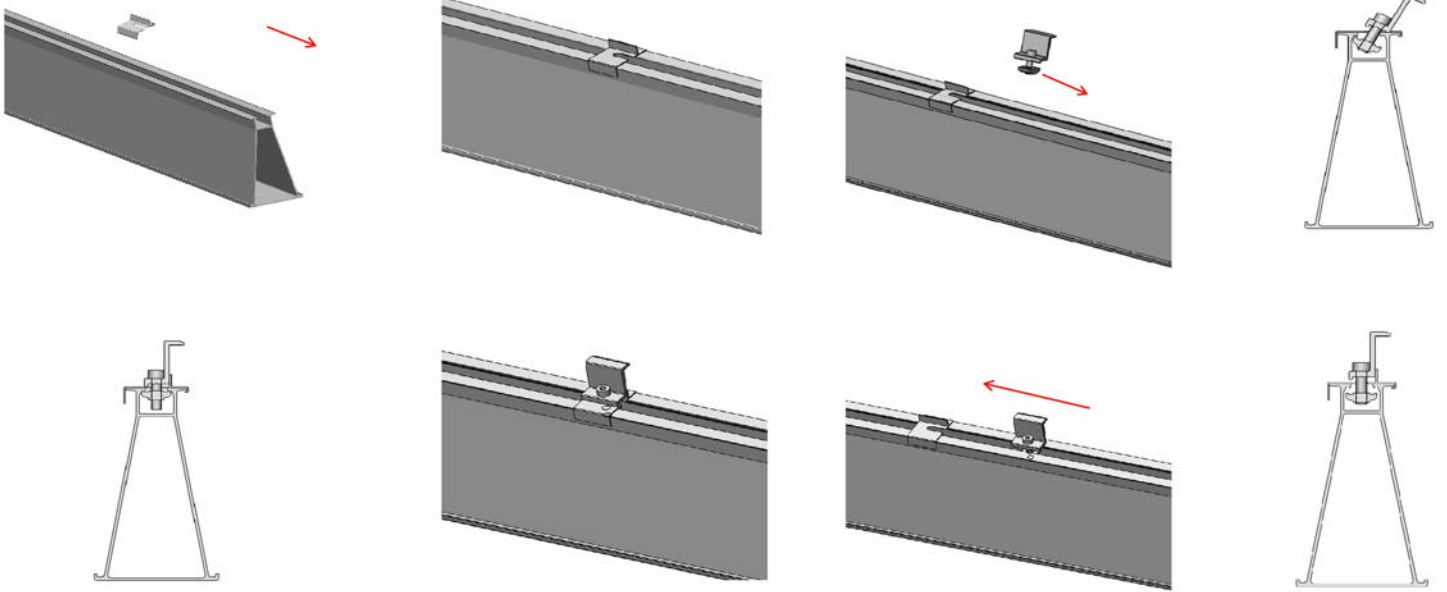


3.52 Clamps installation

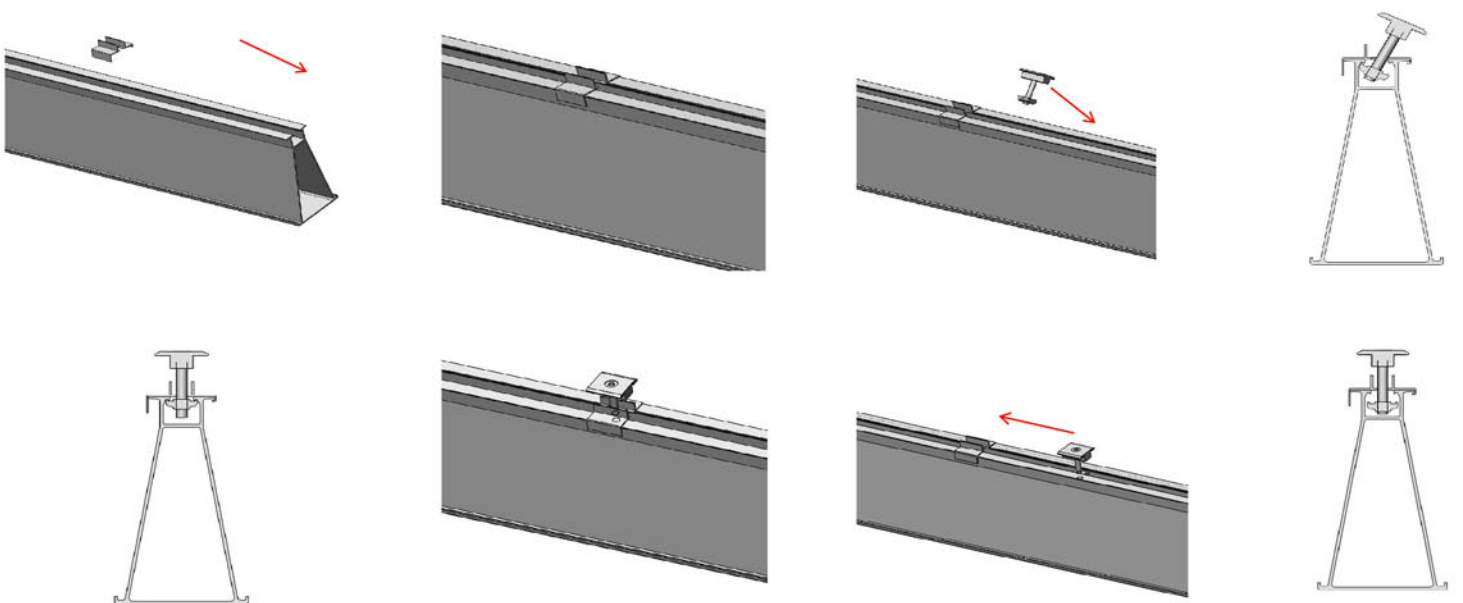
End and Mid clamps are installed according to panel layout .



End Clamps installation



Mid Clamps Installation



4. Installation Finished

